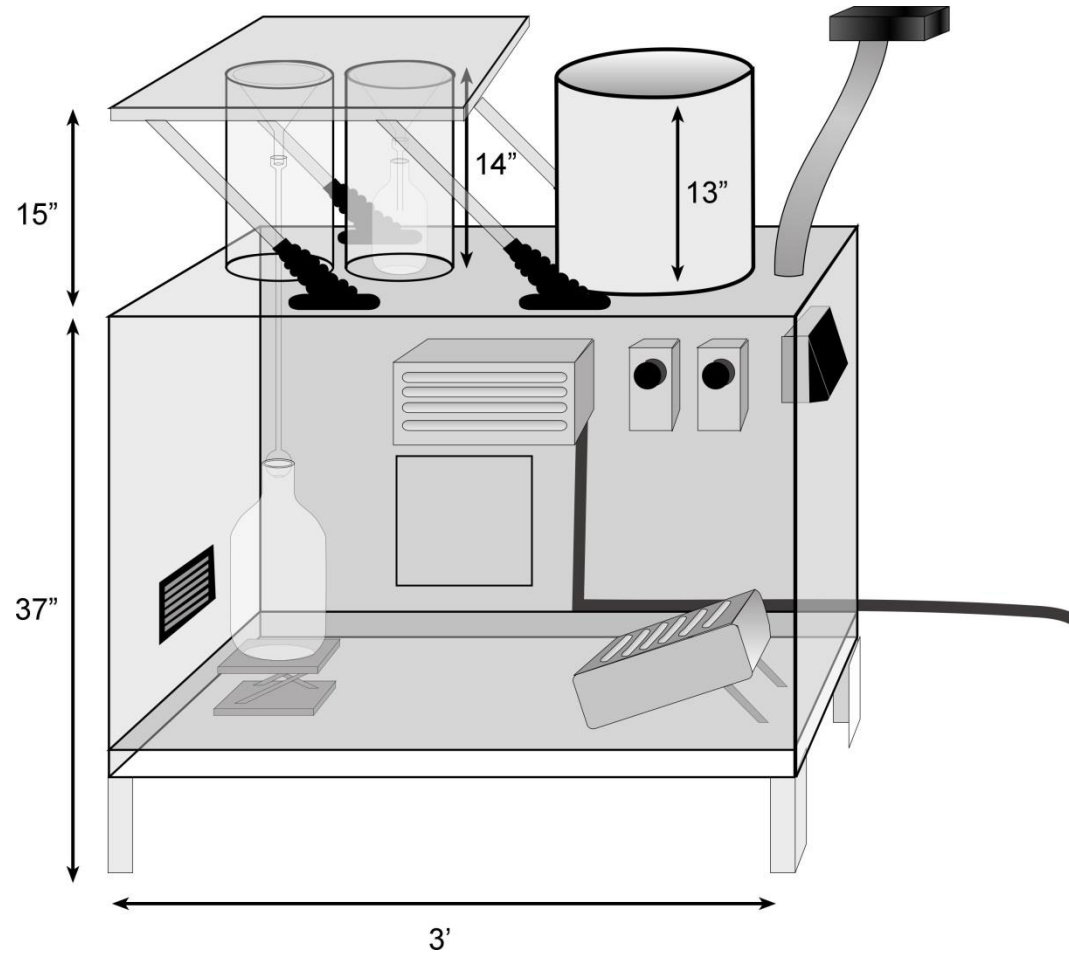
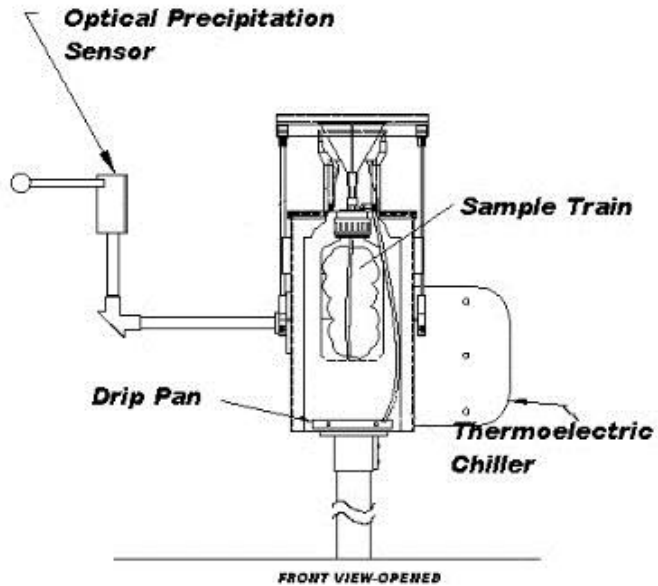


SE Asia Wet Deposition Sampler

Credit to NADP

Will work for either NADP Collector



Collection Container

- 2L PETG Bottle
- Clean for Mercury sampling
- Commercially available
- Will not break
- Disposable
- **Nalgene® Square Media Bottles, PETG, Sterile, Graduated,**
- Case of 12 \$166.91
- ~ \$14 each USD



Cap

- ¼" Teflon compression fitting
- threaded through cap
- ¼" Teflon trap
- Vented
- Handles various stem diameters



Compression Fitting

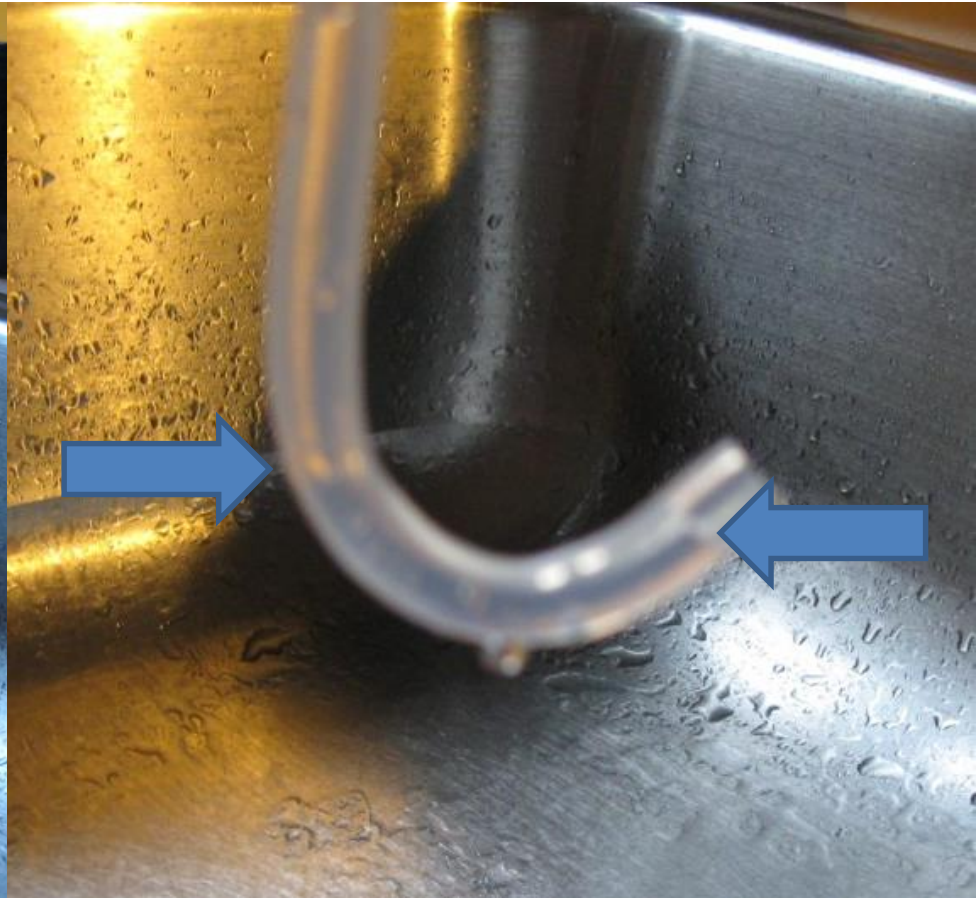
- Treaded through cap
- Stem diameters
 - ¼" (6.5mm)
 - 3/8" (9.7mm)
 - ½" (12.8mm)



- Vented to relieve pressure



Flow and Trap



Funnel

- Polyethylene
- With flange on top to adjust for different size Chimney/openings

